



Micro-Nano integrated platform
for transverse Ambient Intelligence applications

Astrals-HaH workshop

Related MINAmI scenarios

December 14th 2007

Speaker :Rafael González



A European Project supported within the sixth Framework Programme for Research and Technological Development

Project summary

- Micro-Nano integrated platform for transverse Ambient Intelligence applications
- Duration: 10/2006 – 9/2009 (36 months)
- FP6 IST integrated project in micro/nano based sub-systems (Call 5)
- Budget 19,6 M€
- 16 partners from France, Finland, Denmark, Germany, Israel, Italy, Spain, and Switzerland
- Website: <http://www.fp6-minami.org/>
- Contact: Pascal Ancey. pascal.ancey@st.com



Project Objectives

– Technology

- Sensors, actuators and devices (9-D IMU, accelerometers, smart pillboxes, data loggers, gas sensors, clock timestamping, RF Wakeup radio, etc.)
- Mass memory, passive RFID tags
- Associated technologies (improved, flexible batteries, memories, etc.)
- Basic microelectronics

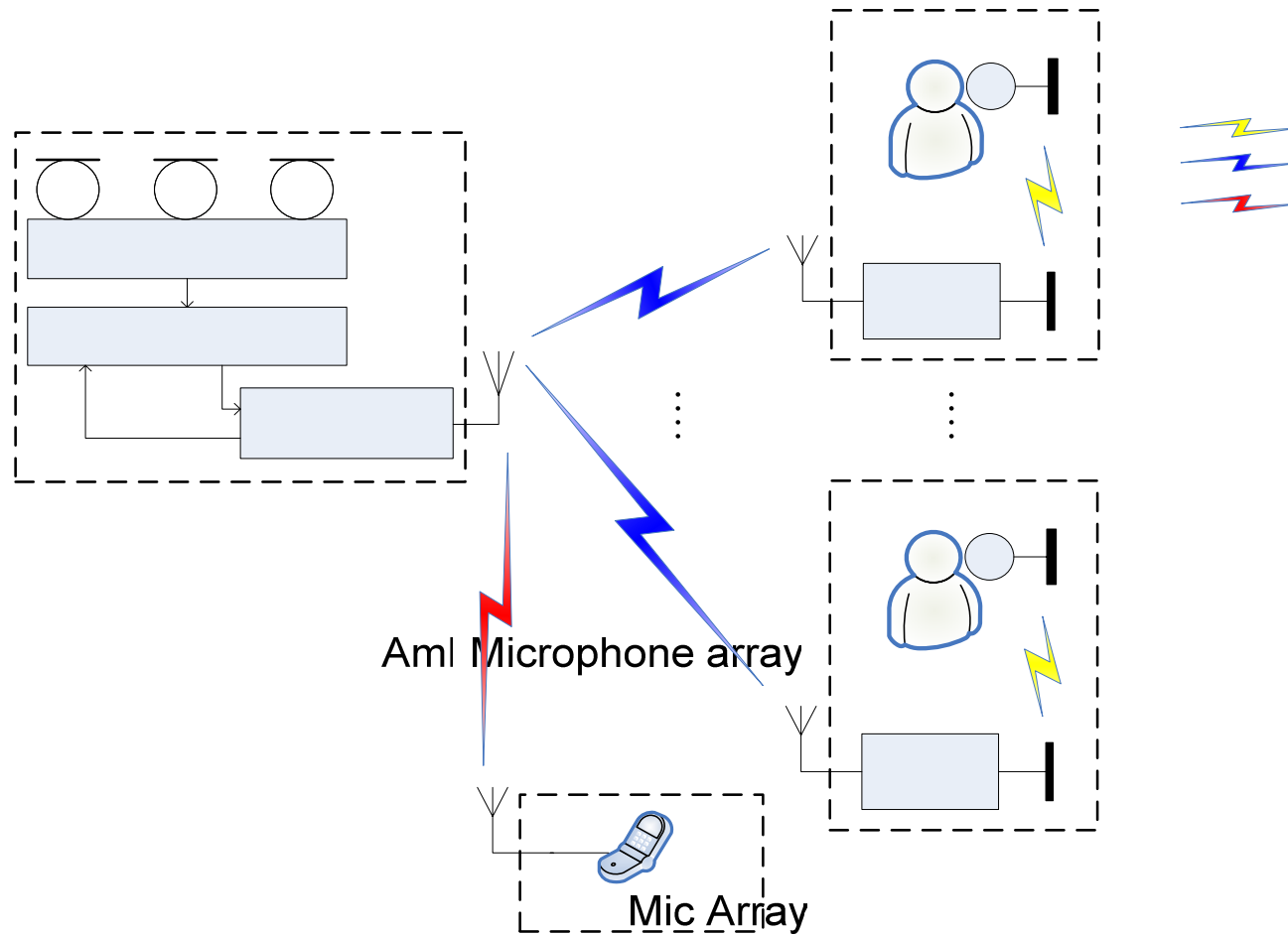
– Ambient Intelligence

- Promote the mobile-centric Aml vision
- Propose scenarios
- Ethical and usability studies

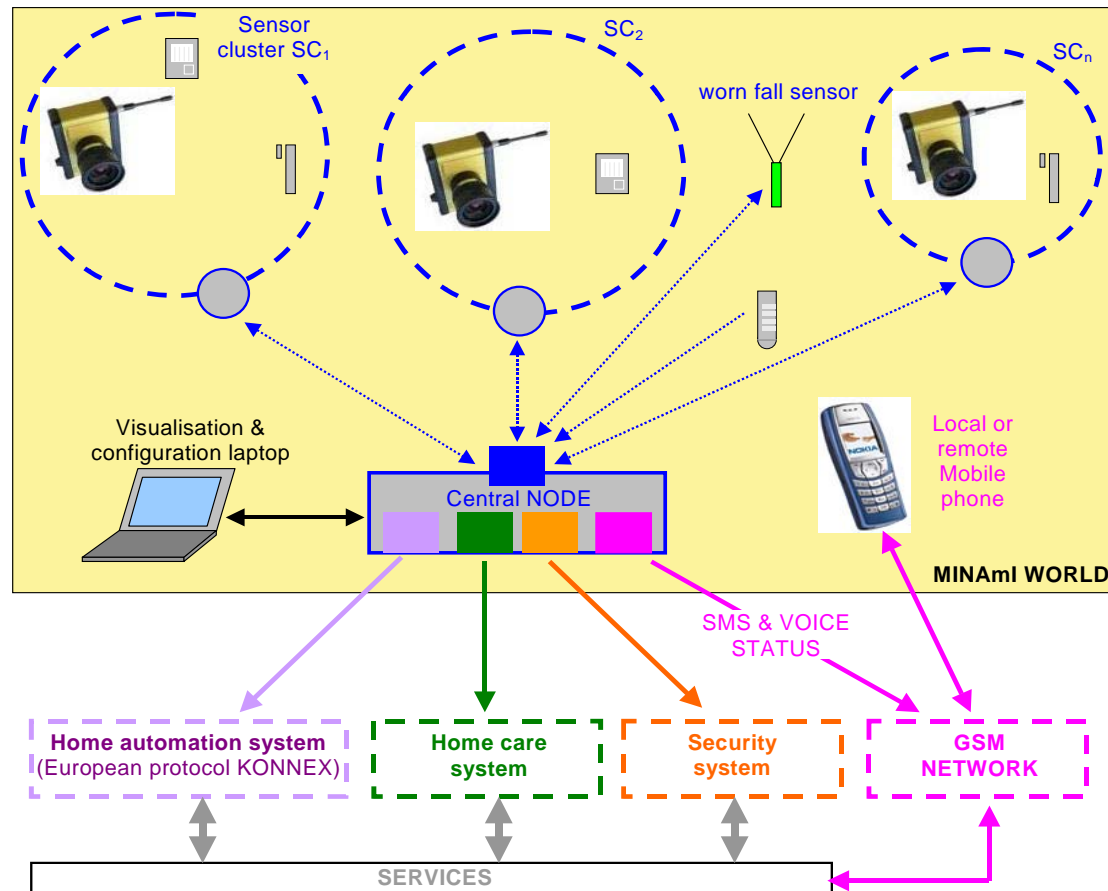
– Exploitation, Validation

- Proof-of-concept demonstrators:
 - Showing technology developed
 - Implementing proposed scenarios

Assistive listening device scenario (OTICON / SONION / ISIT / TID)



Ambient sensors for friendly home applications (HAGER / CSEM / CEA-LETI)





Micro-Nano integrated platform
for transverse Ambient Intelligence applications

Astrals-HaH workshop

The End

December 14th 2007

Speaker :Rafael González



A European Project supported within the sixth Framework Programme for Research and Technological Development